

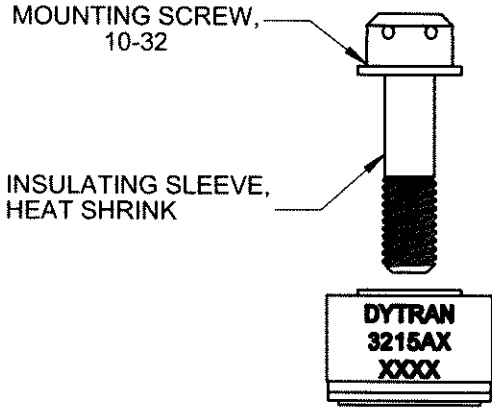
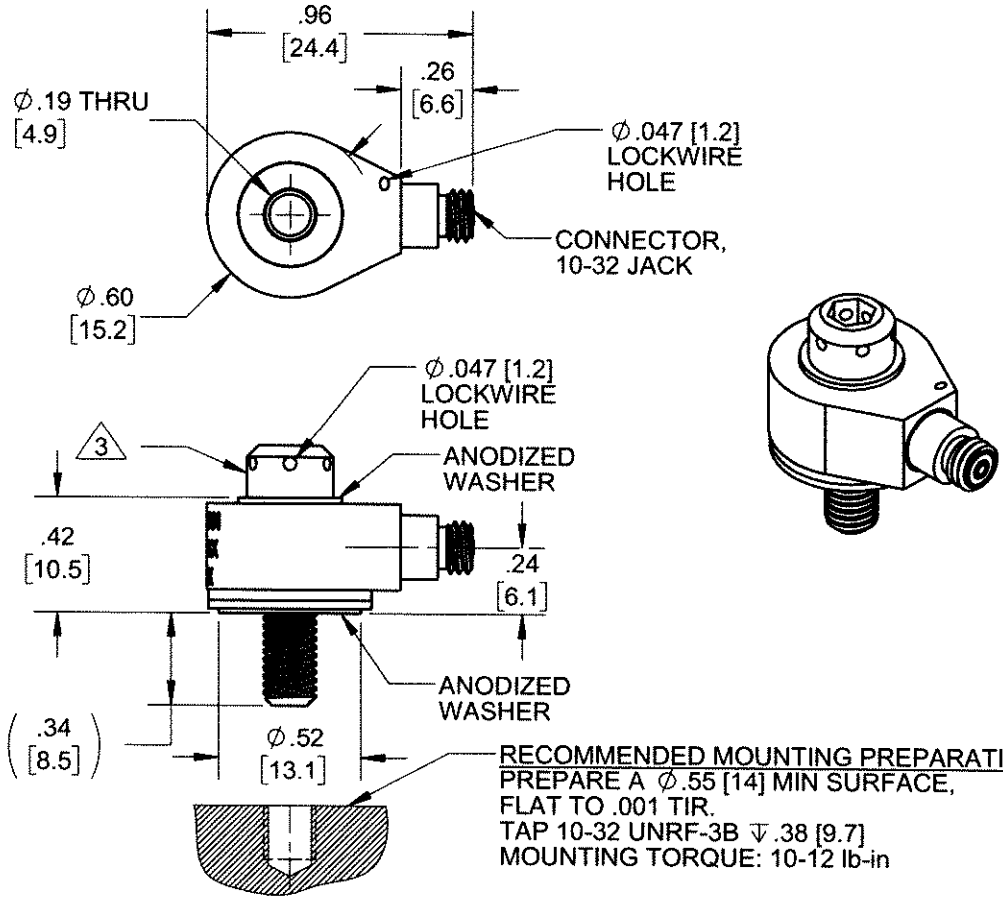
PROPRIETARY AND CONFIDENTIAL

THE INFORMATION CONTAINED IN THIS DRAWING IS THE SOLE PROPERTY OF DYTRAN INSTRUMENTS INC. ANY REPRODUCTION IN PART OR AS A WHOLE WITHOUT THE WRITTEN PERMISSION OF DYTRAN INSTRUMENTS INC. IS PROHIBITED

REVISIONS

| REV | ECN | DESCRIPTION | BY/DATE | CHK | APPR |
|-----|-------|-------------|-------------|-----|------|
| C | 14567 | SEE ECN | AM 10/01/18 | EM | LD |

| MODEL | SENSITIVITY |
|--------|-------------|
| 3215A1 | 10 mV/g |
| 3215A2 | 50 mV/g |



- 3. MOUNTING SCREW, MODEL 6368, 10-32 X .75 [19.1] LONG, WITH INSULATING SLEEVE, SUPPLIED
- MOUNTING SCREW, MODEL 69075, 10-32 X .75 [19.1] LONG, WITHOUT LOCK WIRE HOLES, AVAILABLE.
- 2. HOUSING/CONNECTOR MATERIAL: TITANIUM ALLOY
- 1. WEIGHT: 8.0 GRAMS, MAX.

NOTES: UNLESS OTHERWISE SPECIFIED

| | |
|---|-----------|
| USED ON | NEXT ASSY |
| APPLICATION | |
| THIRD ANGLE PROJECTION USA | |
| UNLESS OTHERWISE SPECIFIED: INTERPRET DIM & TOL PER ASME Y14.5M - 1994. REMOVE BURRS. COUNTERSINK INTERNAL THDS 90° TO MAJOR DIA. CHAM EXT THDS 45° TO MINOR DIA. THD LENGTHS AND DEPTHS ARE FOR MIN FULL THDS. THDS PER MIL-S-7742. DIMENSIONS APPLY AFTER FINISHING. | |
| ALL MACHINED SURFACES TOTAL RUNOUT WITHIN .005. BREAK SHARP EDGES .005 TO .010. MACHINED FILLET RADII .005 TO .015. WELDING SYMBOLS PER AWS A2.4. ABBREVIATIONS PER MIL-STD-12. | |

| | | |
|--|--|--|
| UNLESS OTHERWISE SPECIFIED: DIMENSIONS ARE IN INCHES. DIMENSIONS IN BRACKETS [] ARE IN MILLIMETERS. TOLERANCES ARE: INCHES METRIC ANGLES .XX ± .03 X ± 0.8 ± 1° .XXX ± 0.10 .XX ± 0.25 | | |
| MATERIAL | | |
| FINISH | | |
| DO NOT SCALE DRAWING | | |

| | | |
|--------------|----|----------|
| CONTRACT NO. | | |
| APPROVALS | | DATE |
| ORIG | LN | 12/23/14 |
| CHK | AS | 02/05/16 |
| APP | EM | 02/11/16 |
| APP | | |

DYTRAN INSTRUMENTS, INC. Chatsworth, CA

MASTER ONLY IF IN RED

TITLE: **OUTLINE/INSTALLATION DWG, MODELS 3215A1**

| | | | |
|---------------|------------------------|----------------------------|--------------|
| SIZE A | CAGE CODE 2W033 | DWG. NO. 127-3215A1 | REV C |
| SCALE: NONE | | SOLIDWORKS | SHEET 1 OF 1 |

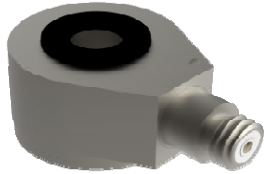
Model Number
3215A1

PERFORMANCE SPECIFICATION

DOC NO
PS3215A1

MINIATURE IEPE ACCELEROMETER

REV C. ECN 14567. 10/01/18



- MINIATURE SIZE
- HERMETICALLY SEALED
- GROUND ISOLATED

This family also includes:

| Model | Sensitivity (mV/g) | Frequency Response, ±5 % (Hz) | Time Constant (Sec) | Operating Temp (°F) |
|-------|--------------------|-------------------------------|---------------------|---------------------|
| | | | | |
| | | | | |
| | | | | |

Refer to the performance specifications of the products in this family for detailed description.

Supplied Accessories:

- 1) Accredited calibration certificate (ISO 17025)
- 2) Mounting Screw, Model 6368, Qty: 1

Accessories Available:

- 1) Mounting Screw, Model 69075 (No lock wire holes)

Notes:

- [1] Measure at 100Hz, 1 Grms per ISA RP 37.2
- [2] Measure using zero-based straight line method, % of F.S. or any lesser range.
- [3] Do not apply power to this system without current limiting, 20 mA MAX. To do so will destroy the IC charge amplifier.
- [4] In the interest of constant product improvement, we reserve the rights to change the specifications without notice.

PHYSICAL

Weight, Max
Connector, Side Mounted
Mounting Provision, Thru Hole
Material, Housing/Connector
Sensing Element
Element Style

| ENGLISH | | SI | |
|----------------|--------|----------------|-------|
| 0.28 | oz | 8.0 | grams |
| 10-32 Jack | | 10-32 Jack | |
| Ø.19 | Inches | Ø 4.8 | mm |
| Titanium Alloy | | Titanium Alloy | |
| Quartz | | Quartz | |
| Shear | | Shear | |

PERFORMANCE

Sensitivity, ±5% [1]
Range F.S for ± 5 Volts Output
Frequency Response, ±5%
Resonant Frequency
Equivalent Electrical Noise Floor
Linearity [2]
Maximum Transverse Sensitivity
Strain Sensitivity @ 250µε

| ENGLISH | | SI | |
|---------------|--------|---------------|----------------------|
| 10 | mV/g | 1.0 | Hz |
| ± 500 | g | ± 4905 | kHz |
| 1.6 to 10,000 | Hz | 1.6 to 10,000 | m/s ² rms |
| >50 | kHz | >50 | % F.S. |
| 0.005 | Grms | 0.05 | % |
| ± 1% | % F.S. | ± 1% | m/s ² /µε |
| 5 | | 5 | |
| 0.003 | g/µε | 0.03 | |

ENVIRONMENTAL

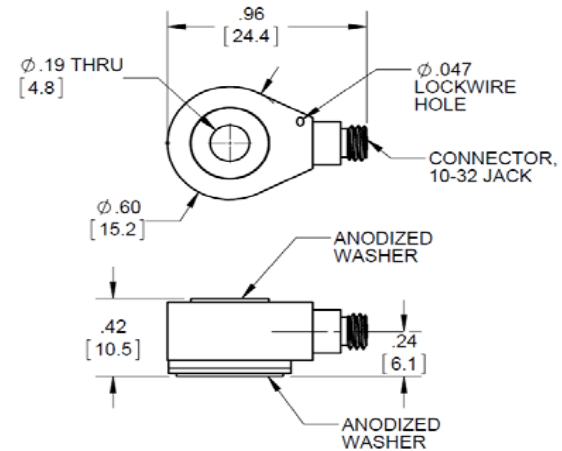
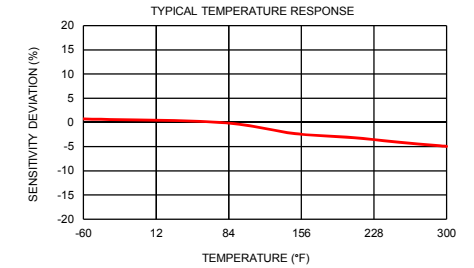
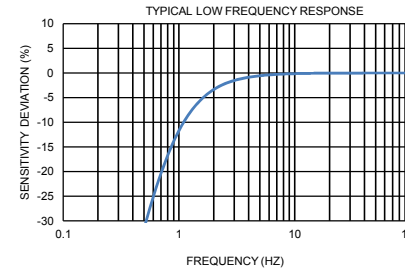
Maximum Vibration
Maximum Shock
Temperature Range
Seal

| ENGLISH | | SI | |
|-------------|-------|-------------|-----------------------|
| ± 1000 | Gpeak | ± 9810 | m/s ² peak |
| ± 2500 | Gpeak | ± 24525 | m/s ² peak |
| -60 to +300 | °F | -51 to +149 | °C |
| Hermetic | | Hermetic | |

ELECTRICAL

Supply Current Range [3]
Compliance Voltage Range
Output Impedance, Typ
Bias Voltage
Discharge Time Constant
Isolation, Case to mounting surface, Min.

| ENGLISH | | SI | |
|------------|-----|------------|-----|
| 2 to 20 | mA | 2 to 20 | mA |
| +18 to +30 | VDC | +18 to +30 | VDC |
| 100 | Ω | 100 | Ω |
| 7.5 to 9.5 | VDC | 7.5 to 9.5 | VDC |
| 0.3 to 2.0 | Sec | 0.3 to 2.0 | Sec |
| 10 | GΩ | 10 | GΩ |



Units on the line drawing are in inches, units in brackets are in millimeters. Refer to 127-3215A1 for more information.



21592 Marilla Street, Chatsworth, California 91311 Phone: 818.700.7818 Fax: 818.700.7880 www.dytran.com
For permission to reprint this content, please contact info@dytran.com